

Surgical Drapes and Packs

Peri-GYN

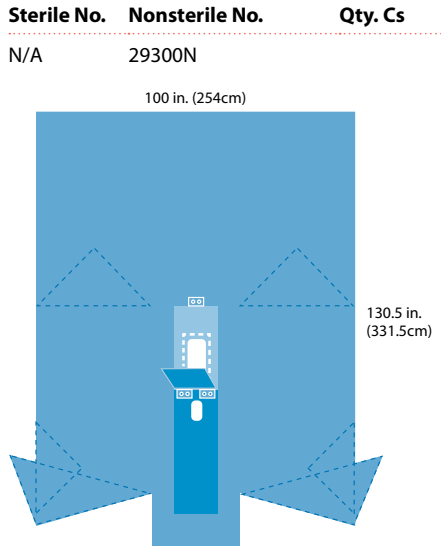
Surgical Drapes and Packs

Peri-GYN



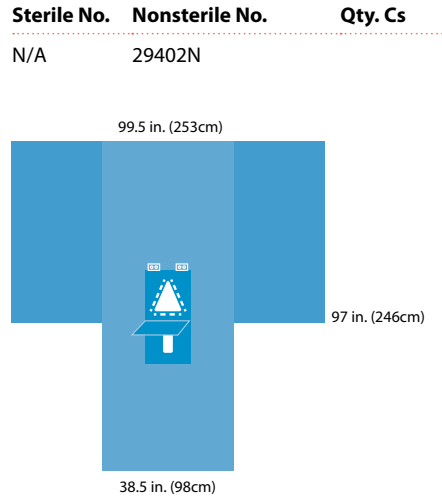
Peri-GYN

Abdominal Lithotomy Drape



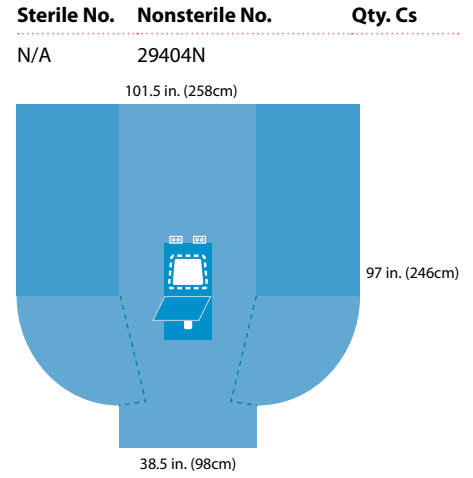
- Absorbent reinforcement, 13.375 x 29 in. (34 x 74cm)
- Fenestration, abdominal with adhesive, 5.6875 x 12.125 in. (14 x 31cm)
- Fenestration, perineal, 3 x 6 in. (7.5 x 15cm)
- Perineal flap
- Attached leggings
- Cord-holding tabs
- Included in pack 29146

Laparoscopy Drape



- Absorbent reinforcement, 15.25 x 30 in. (39 x 76cm)
- Fenestration, triangular abdominal with adhesive, 7.875 x 8.75 in. (20 x 22cm)
- Fenestration, perineal, 3 x 6 in. (7.5 x 15cm)
- Perineal flap
- Cord-holding tabs
- Included in pack 29242, 29245

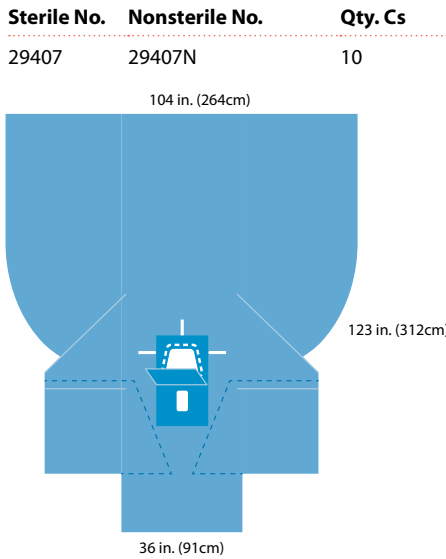
Laparoscopy/ Pelviscopy Drape



- Absorbent reinforcement, 15.375 x 27 in. (39 x 68.5cm)
- Fenestration, trapezoidal abdominal with adhesive, 7 x 7 x 9 in. (18 x 18 x 23cm)
- Fenestration, perineal, 3 x 6 in. (7.5 x 15cm)
- Perineal flap
- Side gussets for added coverage
- Cord-holding tabs
- Included in pack 29606, 29604

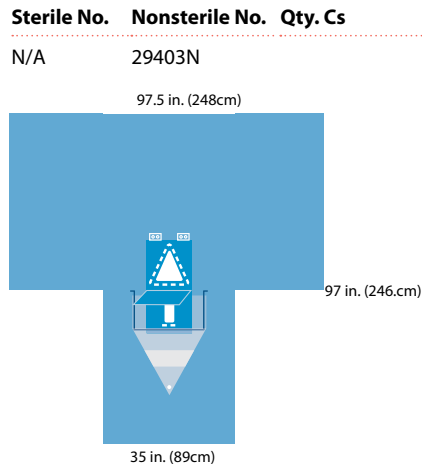


Laparoscopy/ Pelviscopy Drape



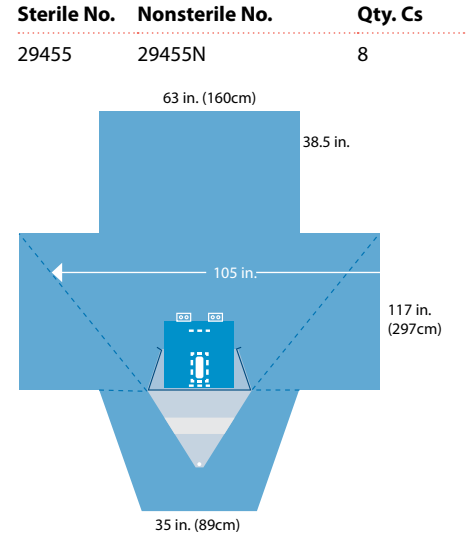
- Absorbent reinforcement, 15.25 x 26.5 in. (39 x 67cm)
- Fenestration, abdominal with adhesive, 7 x 7 x 7 x 9 in. (18 x 18 x 23cm)
- Fenestration, perineal, 3 x 6 in. (7.5 x 15cm)
- Perineal flap
- Armboard covers
- Velcro® Cord-Holding Straps
- Included in pack 29408

Laparoscopy Drape



- Absorbent reinforcement, 15.375 x 27 in. (39 x 67cm)
- Triangular abdominal fenestration with adhesive, 7.875 x 8.75 in. (20 x 22cm)
- Fenestration, perineal, with adhesive, 3 x 6 in. (7.5 x 15cm)
- Perineal flap
- Fluid control pouch with filtering screen, closed suction port and drawstring
- Cord-holding tabs
- Included in pack 29503

Lithotomy Drape



- Absorbent reinforcement, 20.375 x 19 in. (52 x 48 cm)
- Fenestration, perineal, with adhesive, 2.5 x 6.5 in. (6 x 16.5cm)
- Anesthesia screen
- Attached leggings
- Cord-holding tabs
- Fluid control pouch with filtering screen and suction port

Surgical Drapes and Packs

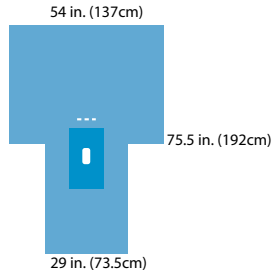
Peri-GYN



Peri-GYN

Lithotomy "T" Drape

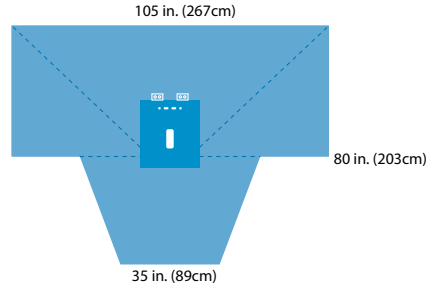
Sterile No.	Nonsterile No.	Qty. Cs
N/A	29438N	



- Absorbent reinforcement, 12 x 20.375 in. (30.5 x 52cm)
- Fenestration, perineal, 2.5 x 5.5 in. (6 x 14cm)
- Included in pack 29276

Lithotomy Drape

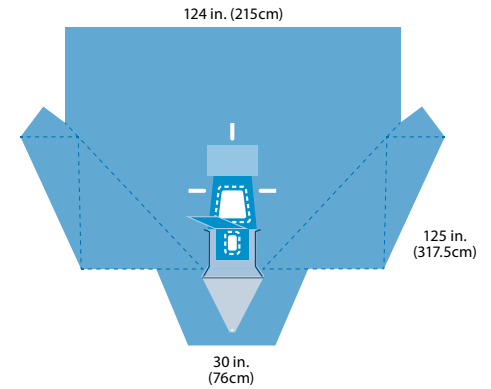
Sterile No.	Nonsterile No.	Qty. Cs
29450	29450N	10



- Absorbent reinforcement, 20.375 x 22 in. (52 x 56 cm)
- Fenestration, perineal, 2.5 x 6.5 in. (6 x 16.5cm)
- Attached leggings
- Cord-holding tabs
- Included in pack 29170, 29171

LAVH Drape

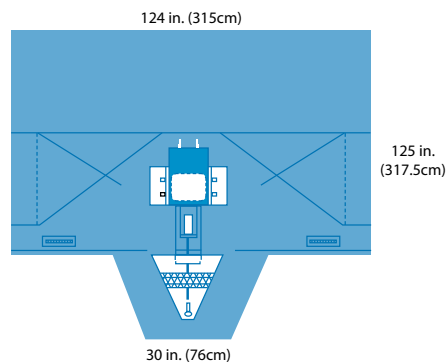
Sterile No.	Nonsterile No.	Qty. Cs
29474	29474N	8



- Absorbent reinforcement, 12 x 19.25 x 16.75 in. (30.5 x 49 x 42.5cm)
- Trapezoidal abdominal fenestration with adhesive, 7 x 9 x 9 in. (18 x 23 x 23cm)
- Fenestration, perineal, with adhesive, 3 x 6 in. (7.5 x 15cm)
- Perineal flap
- Anesthesia screen
- Armboard covers
- Attached leggings with tieback straps
- Fluid control pouch with closed suction port and drawstring
- Instrument pad
- Velcro® Cord-Holding Tabs
- Included in pack 29475

Robotic Drape with Attached Leggings

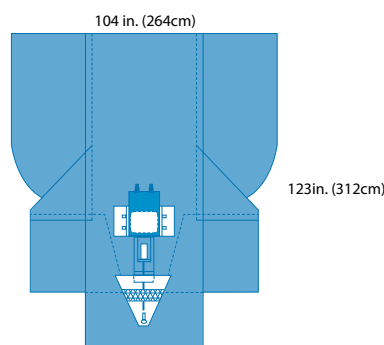
Sterile No.	Nonsterile No.	Qty. Cs
29574	29574N	8



- Absorbent reinforcement 36.5 x 20.25 in (92.7 x 51.4 cm)
- Abdominal fenestration with adhesive, 14 x 11 in. (35.5 x 28cm)
- Perineal fenestration with adhesive, 3 x 6 in. (7.5 x 15cm)
- Perineal flap
- Attached leggings
- Fluid control pouch with filtering screen and port
- Instrument pouches 9 x 20 in (23 x 51 cm)

Robotic Drape

Sterile No.	Nonsterile No.	Qty. Cs
29575	29575N	10



- Absorbent reinforcement 36.5 x 20.25 in (92.7 x 51.4 cm)
- Abdominal fenestration with adhesive, 14 x 11 in. (35.5 x 28cm)
- Perineal fenestration with adhesive, 3 x 6 in. (7.5 x 15cm)
- Perineal flap
- Fluid control pouch with filtering screen and port
- Instrument pouches 9 x 20 in (23 x 51 cm)

Peri-GYN Packs

Nonsterile No.	Description	29242Laparoscopy Pack	29245Laparoscopy Pack	29606Laparoscopy/Pelviscopy Pack I	29604Laparoscopy/Pelviscopy Pack II	29408Laparoscopy/Pelviscopy Pack III	29503Fluid Control Laparoscopy Pack	29146Abdominal Lithotomy Pack	29276Peri-GYN Pack	29170Peri-GYN Pack	29171Peri-GYN Pack	29475LAVH/Laparoscopy Pack	9165Peri-GYN Pack	9274Peri-GYN Pack
29438N	Lithotomy "T" Drape with absorbent reinforcement, adhesive								1					
29450N	Lithotomy Drape with absorbent reinforcement, attached leggings									1	1			
29474N	LAVH Drape											1		
29402N	Laparoscopy Drape with absorbent reinforcement, adhesive	1	1											
29404N	Laparoscopy/Pelviscopy Drape with gussets, absorbent reinforcement, adhesive			1	1									
29407N	Laparotomy/Pelviscopy Drape					1								
29403N	Laparoscopy Drape						1							
29300N	Abdominal lithotomy drape							1						
9359N	Drape sheet, adhesive												1	1
8483N	Under-buttocks drape, reinforced poly		1	1	1	1		1		1	1	1	1	1
90680NA	AAMI 4 Poly Reinforced Scrub Nurse Gown, Large											1		
9040N	AAMI 4 Poly Reinforced Surgical Gown, X-Large											2		
90270NA	AAMI 3 NonReinforced Scrub Nurse Gown, Large, with towel and wrap		1											
9515NA	AAMI 3 NonReinforced Surgical Gown, Large		1								1			1
8554N	Drape towel, adhesive, nonabsorbent	1	1		2	2			1	1	1		1	1
8520N	Absorbent towel	1	1						1	1	1		1	1
8421N	Pair of leggings, X-large	1	1	1	1	1	1		1				1	1
8694-60	Suture bag	1	1		1	1			1	1	1	1	1	1
8337N	Mayo Stand Cover, reinforced poly, 23 in. (58cm) wide		1		1	1						1		
8146N	Outer wrap, reinforced poly table cover, 44 x 90 in. (111.8 x 228cm)	1	1		1	1			1				1	1
8149N	Outer wrap, reinforced poly table cover, 44 x 85 in. (111.8 x 216cm), reinforcement 24 x 85 in. (61 x 216cm)									1	1			
8143N	Outer wrap, reinforced poly table cover, 50 x 90 in. (127 x 228cm)											1		
	Quantity per case	10	8	10	10	10	10	8	10	12	5	4	12	10