

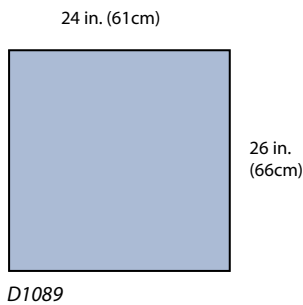
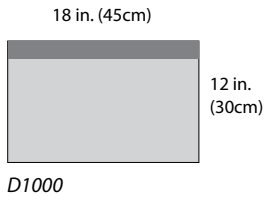


Surgical Drapes and Packs

Ancillary

Surgical Drapes and Packs

Ancillary Patient Drapes



Drape Towels

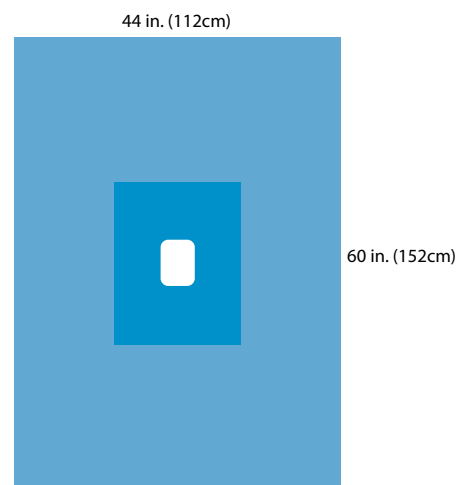
| Sterile No. | Nonsterile No. | Description | Qty. Pkg | Qty. Cs |
|-------------|----------------|--|----------|---------|
| 7550 | 8520N | Absorbent towel, white, 15.5 x 22 in. (40 x 56cm) | 2 | 120 |
| 7552 | N/A | Blue drape towel, non-absorbent, sterile, 15 x 26 in. (38 x 66cm) | 2 | 120 |
| D1089 | D1089NS | Utility drape (2 drapes per pkg) 24 x 26 in. (61 x 66cm) | 2 | 20 |
| 7553 | 8554N | Blue drape towel, non-absorbent with adhesive strip, sterile, 15 x 26 in. (38 x 66cm) | 2 | 120 |
| SPP99GSUDA | N/A | Utility drape pack, blue drape towel, nonabsorbent with adhesive strip, sterile, 15 x 26 in. (38 x 66cm) | 4 | 70 |
| 7554 | 7554N | Drape Towel, with adhesive strip, sterile, 19 x 30 in. (48 x 76cm) | 2 | 60 |
| 8553 | N/A | Fenestrated towel, sterile, 19.25 x 26 in. (49 x 66cm), 2.75 in. aperture, blue | 1 | 120 |
| 3523 | N/A | Fenestrated poly-lined towel, white absorbent, 18 x 26 in. (45 x 66cm), 2.5 in. aperture, sterile | 1 | 100 |
| 3520 | N/A | Poly-lined towel, white, absorbent, 18 x 26 in. (45 x 66cm) | 1 | 100 |
| N/A | 9460N | Peri-towel, 7.5 x 22 in. (19 x 56cm) | N/A | N/A |
| N/A | 8365N | Set-up cover, 40 x 71 in. (102 x 180cm) | N/A | N/A |
| D1000 | D1000NS | Towel drape 18 x 12 in. (45 x 30cm), Adhesive 18 x 1.5 in. (45 x 3.8cm) | 1 | 10 |
| D1010 | D1010NS | Towel drape 18 x 24 in. (45 x 61cm), Adhesive 18 x 1.5 in. (45 x 3.8cm) | 1 | 10 |

Surgical Drapes and Packs

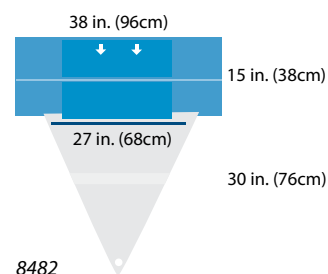
Ancillary Patient Drapes

Drape Sheets

| Sterile No. | Nonsterile No. | Description | Qty. Cs |
|-------------|----------------|--|---------|
| 9358 | 9358N | Half Sheet, 40 x 57 in. (101 x 145cm) | 20 |
| 9355 | 9355N | Medium Sheet, 40 x 71 in. (101 x 180cm) | 20 |
| 9349 | 9349N | Three-Quarter Sheet, 52 x 76 in. (132 x 193cm) | 20 |
| TB9349CE | TB9349NI | Three-Quarter Sheet, absorbent, 60 x 76 in. (152 x 193cm) | 20 |
| 29350 | 29350N | Three-Quarter Sheet, 56 x 77 in. (142 x 195cm), with absorbent reinforcement, 25 x 42 in. (63 x 106cm) | 20 |
| 9446 | 9446N | Large Sheet, 72 x 85 in. (183 x 216cm) | 30 |
| 9444 | 9444N | X-Large Sheet, 77 x 98 in. (195 x 249cm) | 12 |
| 9462 | 9462N | Utility Drape Sheet, 44 x 60 in. (112 x 152cm), 4 x 6 in. (10 x 15cm) poly-reinforced fenestration | 20 |
| N/A | 8470N | Plastic setup cover, 50 x 59 in. (127 x 150cm) | N/A |
| N/A | 8750 | Prep pad, absorbent, 9 in. cuff, 24 x 41 in. (61 x 104cm), nonsterile | 50 |



9462 Utility Drape Sheet



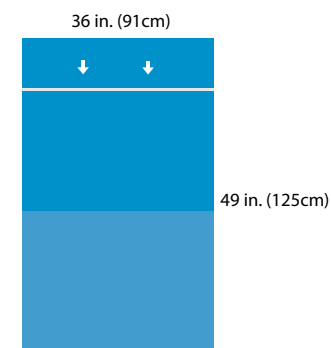
8482

Drape Sheet, Square-Folded

| Sterile No. | Nonsterile No. | Description | Qty. Cs |
|-------------|----------------|---|---------|
| 9461 | 9461N | Drape Sheet, square-folded, 38.5 x 38.5 in. (98 x 98cm) | 30 |

Drape Sheets with Adhesive

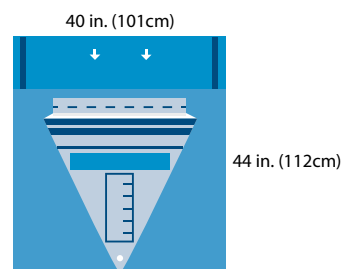
| Sterile No. | Nonsterile No. | Description | Qty. Cs |
|-------------|----------------|---|---------|
| M9471 | N/A | Drape Sheet with adhesive, 38.5 x 38.5 in (98 x 98cm) | 30 |
| 9464 | N/A | Three-Quarter Sheet with adhesive, 60 x 76 in (152 x 193cm) | 26 |



8483

Under-Buttocks Drapes

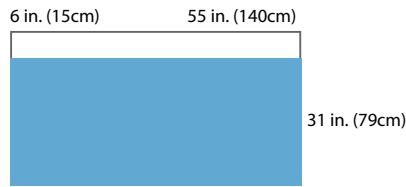
| Sterile No. | Nonsterile No. | Description | Qty. Cs |
|-------------|----------------|---|---------|
| 8482 | 8482N | Under-buttocks drape, with fluid control pouch, filtering screen, drainage port and reinforcement | 20 |
| 8483 | 8483N | Under-buttocks drape, reinforced poly, 9 in. cuff, 36 x 49 in. (91 x 125cm) | 40 |
| 8484 | 8484N | Under-buttocks drape with fluid control pouch, reinforcement | 20 |
| 8486 | 8486N | Under-buttocks drape, fluid control pouch with filtering screen and drainage port, plastic backing | 20 |
| 8461 | 8461N | Under-buttocks drape, fluid control pouch with filtering screen and drainage port, plastic backing with reinforcement on cuff | 20 |
| 8487 | 8487N | Under-buttocks drape with graduations, fluid control pouch with filtering screen and drainage port, plastic backing | 20 |



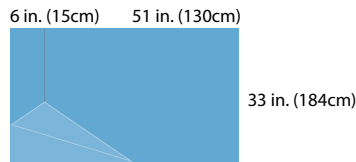
8487

Surgical Drapes and Packs

Ancillary Patient Drapes



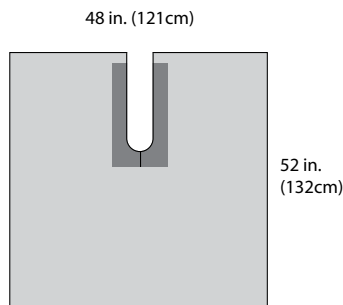
8430



8433



1585



D1015

Leggings

| Sterile No. | Nonsterile No. | Description | Qty. Cs |
|-------------|----------------|--|---------|
| 8420 | 8420NA | Leggings, folded, 6 in. cuff, 28 x 43 in. (71 x 109cm), 2/pkg. | 20 |
| 8421 | 8421N | Leggings, folded, 6 in. cuff, 31 x 48 in. (79 x 123cm), 2/pkg. | 20 |
| 8430 | 8430NA | Clear leggings, folded, 6 in. cuff, 31 x 55 in. (79 x 140cm), 2/pkg | 20 |
| 8433 | 8433N | Extra large leggings, folded, 6 in. cuff, 33 x 51 in. (84 x 130cm), 2/pkg. | 20 |

Stockinettes

| Sterile No. | Nonsterile No. | Description | Size | Qty. Cs |
|-------------|----------------|----------------------|--------------------------|---------|
| 1584 | N/A | Stockinette, small | 6 x 30 in. (15 x 76cm) | 30 |
| 1585 | 1585N | Stockinette, medium | 8 x 38 in. (20 x 96cm) | 30 |
| 1586 | 1586N | Stockinette, large | 9 x 48 in. (23 x 122cm) | 40 |
| 1587 | 1582N | Stockinette, X-large | 12 x 48 in. (31 x 122cm) | 40 |

Poly U-Drapes

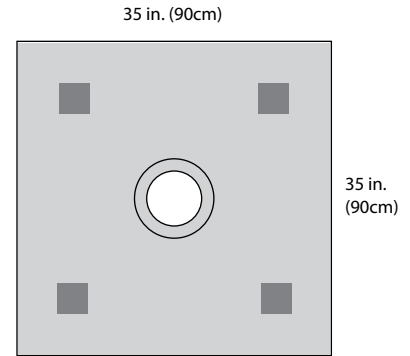
| Sterile No. | Nonsterile No. | Description | Size | Qty. Cs |
|-------------|----------------|---|---------------------------|---------|
| 8474 | 8474N | Blue poly U-drape, 6 x 21 in. split with adhesive | 60 x 60 in. (152 x 152cm) | 28 |
| 8475 | 8475N | Blue poly U-drape, 8 x 30 in. split with adhesive | 60 x 84 in. (152 x 213cm) | 22 |
| 8476 | 8476NA | Blue poly U-drape, 6 x 21 in. split with adhesive | 60 x 72 in. (152 x 183cm) | 24 |
| D1015 | D1015NS | Clear poly U-drape, Adhesive 9.5 x 19.5 in. (24 x 50cm), split 6 x 19 in. (15 x 48cm) | 48 x 52 in. (121 x 132cm) | 10 |
| D1019 | D1019NS | Clear poly U-drape, Adhesive 9.5 x 19.5 in. (24 x 50cm), Adhesive tab 3 x 1 in. (7 x 2.5cm), split 6 x 19 in. (15 x 48cm) | 48 x 71 in. (121 x 180cm) | 10 |

Surgical Drapes and Packs

Ancillary Patient Drapes

Wound Protectors

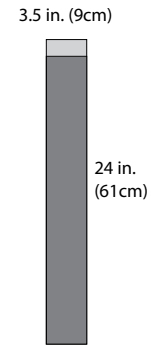
| Sterile No. | Nonsterile No. | Description | Qty. Cs |
|-------------|----------------|--|---------|
| D37612210 | N/A | Wound protector 35 x 35 in. (90 x 90cm), Ring 3 in. dia. (7cm dia.), Adhesive tabs (4) 2 x 2 in. (5 x 5cm) | 40 |
| D37106310 | N/A | Wound protector 35 x 35 in. (90 x 90cm), Ring 9 in. dia. (23cm dia.), Adhesive tabs (4) 2 x 2 in. (5 x 5cm) | 40 |
| D37106210 | N/A | Wound protector 35 x 35 in. (90 x 90cm), Ring 5 in. dia. (12cm dia.), Adhesive tabs (4) 2 x 2 in. (5 x 5cm) | 40 |
| D37106410 | N/A | Wound protector 35 x 35 in. (90 x 90cm), Ring 11 in. dia. (28cm dia.), Adhesive tabs (4) 2 x 2 in. (5 x 5cm) | 40 |
| D37104910 | N/A | Wound protector 35 x 35 in. (90 x 90cm), Ring 7 in. dia. (18cm dia.), Adhesive tabs (4) 2 x 2 in. (5 x 5cm) | 40 |



D37612210

Adhesives and Drape Tape

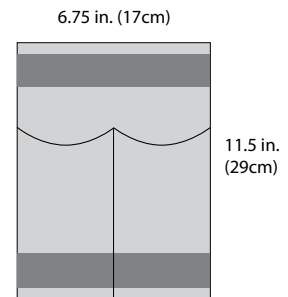
| Sterile No. | Nonsterile No. | Description | Qty. Cs |
|-------------|----------------|---|---------|
| D2029 | D2029NS | Tape strip 3.5 x 24 in. (9 x 61cm), Adhesive area 3.5 x 23.5 in. (9 x 60cm) | 10 |
| 3524 | N/A | Drape tape, 4 x 18.5 in. (10 x 47cm) | 2 |



D2029

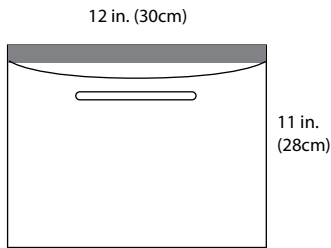
Pouches

| Sterile No. | Nonsterile No. | Description | Qty. Cs |
|-------------|----------------|--|---------|
| D1018 | D1018NS | Instrument pouch 6.75 x 11.5 in. (17 x 29cm), Adhesive (2) 6.75 x 2 in. (17 x 5cm) | 10 |
| D1018L | D1018LNS | Instrument pouch 10 x 18 in. (26 x 45cm), Adhesive (2) 10 x 2 in. (26 x 5cm) | 10 |

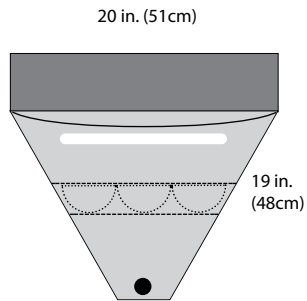


D1018

Drape Accessories



D2114



D1016

Pouches

| Sterile No. | Nonsterile No. | Description | Qty. Cs |
|-------------|----------------|--|---------|
| D2021 | D2021NS | Irrigation pouch 8.5 x 11 in. (21 x 28cm), Adhesive 8.5 x 1 in. (21 x 2.5cm) | 10 |
| D2114 | D2114NS | Irrigation pouch 12 x 11 in. (30 x 28cm), Adhesive 12 x 1 in. (30 x 2.5cm) | 10 |
| C2326* | C2326NS* | Irrigation pouch 30 x 11 in. (76 x 28cm), Adhesive 30 x 1 in. (76 x 2.5cm) | 10 |
| D1016 | D1016NS | Fluid pouch 20 x 19 in. (51 x 48cm), Adhesive 20 x 3.75 in. (50 x 9cm) | 10 |
| D1072 | D1072NS | Aperture pouch 18 x 9 in. (45 x 22cm), Aperture 4.75 x 3.75 in. (12 x 9cm), Adhesive (9.5 x 9 in.) | 10 |

* Denotes a 6-8 week lead time

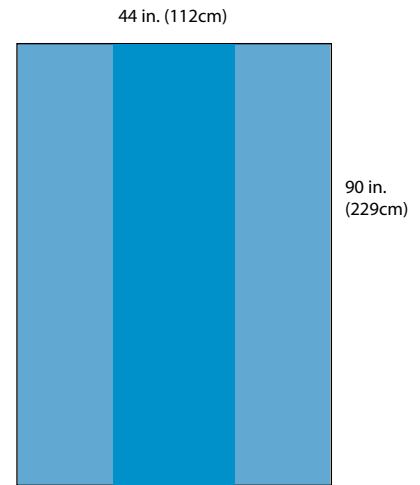
Isolation Bags

| Sterile No. | Nonsterile No. | Description | Qty. Cs |
|-------------|----------------|--|---------|
| D5510 | D5510NS | Isolation bag 18 x 18 in. (45 x 45cm) | 40 |
| D1003 | D1003NS | Isolation bag 20 x 20 in. (51 x 51 cm) | 10 |

Equipment Drapes and Covers

Standard Back Tables Covers

| Sterile No. | Nonsterile No. | Description | Qty. Cs |
|-------------|----------------|--|---------|
| 8376 | 8145N | Standard back table cover, 44 x 75 in. (112 x 190cm), SMS reinforcement, 23 x 75 in. (58 x 190cm) | 22 |
| 8377 | 8146N | Standard back table cover, 44 x 90 in. (112 x 228cm), SMS reinforcement, 23 x 90 in. (58 x 228cm) | 22 |
| 8378 | 8184N | Standard back table cover, 50 x 90 in. (127 x 228cm), SMS reinforcement, 29 x 90 in. (73 x 228cm) | 24 |
| 8380 | 8187N | Standard back table cover, 80 x 90 in. (203 x 228cm), SMS reinforcement, 40 x 90 in. (102 x 228cm) | 22 |
| N/A | 8371NI | Standard back table cover, 55 x 75 in. (140 x 190cm), SMS reinforcement 29 x 75 in. (73 x 190cm) | N/A |
| N/A | 8191N | Standard back table cover, 50 x 47 in. (127 x 119cm), SMS reinforcement, 30 x 47 in. (76 x 119cm) | N/A |
| 9385 | 8188N | Overhead table cover, 80 x 90 in. (203 x 228cm), reinforced poly with 44 x 72 in. (112 x 183cm) fabric sterile field extension, SMS reinforcement, 40 x 90 in. (101 x 228cm) | 12 |
| 8145W | 8145NW | Standard back table cover for ophthalmic procedures, 44 x 75 in. (112 x 190cm), cellulose reinforcement, 23 x 75 in. (58 x 190cm) | 22 |
| 8146W | 8146NW | Standard back table cover for ophthalmic procedures, 44 x 90 in. (112 x 229cm), cellulose reinforcement, 23 x 90 in. (58 x 229cm) | 22 |
| N/A | 8184NW | Standard back table cover for ophthalmic procedures, 50 x 90 in. (127 x 229cm), cellulose reinforcement, 29 x 90 in. (74 x 229cm) | N/A |



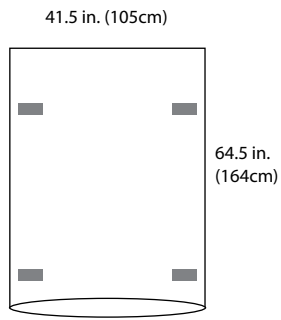
8377

Heavy-Duty Back Table Covers

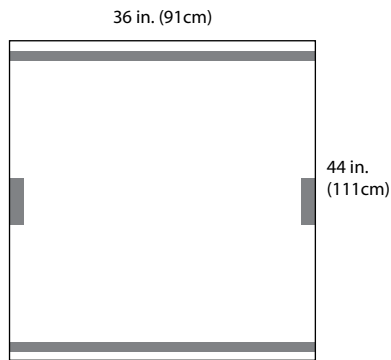
| Sterile No. | Nonsterile No. | Description | Qty. Cs |
|-------------|----------------|---|---------|
| 8186 | 8186N | Heavy-duty back table cover, 60 x 90 in. (152 x 229cm), thick SMS reinforcement, 29 x 90 in. (74 x 229cm) | 24 |
| 8186W | 8186NW | Heavy-duty back table cover for ophthalmic procedures, 65 x 90 in. (165 x 229cm), cellulose reinforcement, 29 x 90 in. (74 x 229cm) | 24 |
| 8386 | 8153N | Extra heavy-duty back table cover, 65 x 90 in. (165 x 229cm), thick SMS reinforcement, 28 x 90 in. (71 x 229cm) | 12 |
| 8385 | 8152N | Extra heavy-duty back table cover, 80 x 110 in. (203 x 279cm), thick SMS reinforcement, 37 x 110 in. (94 x 279cm) | 10 |

Surgical Drapes and Packs

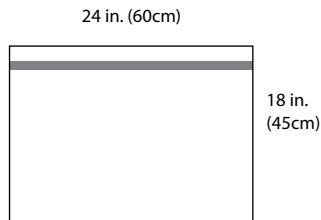
Equipment Drapes and Covers



D1013



D1012



D2158

Mayo Stand Covers

| Sterile No. | Nonsterile No. | Description | Qty. Cs |
|-------------|----------------|---|---------|
| 8337 | 8337N | Mayo stand cover, reinforced poly, 23 x 55 in. (58 x 140cm) | 30 |
| 8339 | 8339NI | Mayo stand cover, reinforced poly, 29.5 x 55 in. (75 x 140cm) | 22 |

Equipment Covers

| Sterile No. | Nonsterile No. | Description | Qty. Cs |
|-------------|----------------|--|---------|
| D1013 | D1013NS | C-Arm Cover 41.5 x 64.5 in. (105 x 164cm), Adhesive (4) 1 x 3 in. (2.5 x 8cm) | 10 |
| D1012 | D1012NS | Fluoroscope Cover 36 x 44 in. (91 x 111cm), Adhesive strips 36 x 0.5 in. (91 x 1.2cm), Adhesive tabs 2.5 x 4.25 in. (6 x 11cm) | 10 |
| D2158 | D2158NS | Instrument Cover 24 x 18 in. (60 x 45cm), Adhesive 24 x 0.5 in. (60 x 1.2cm) | 10 |
| D2007 | D2007NS | Clear Cover 36 x 44 in. (91 x 111cm) | 30 |
| D2008A | D2008NS | Clear Cover 44 x 72 in. (111 x 182cm) | 25 |